

CL1008/1016

DEFF
IMPORTADORA

ATEN
Simply Better Connections™

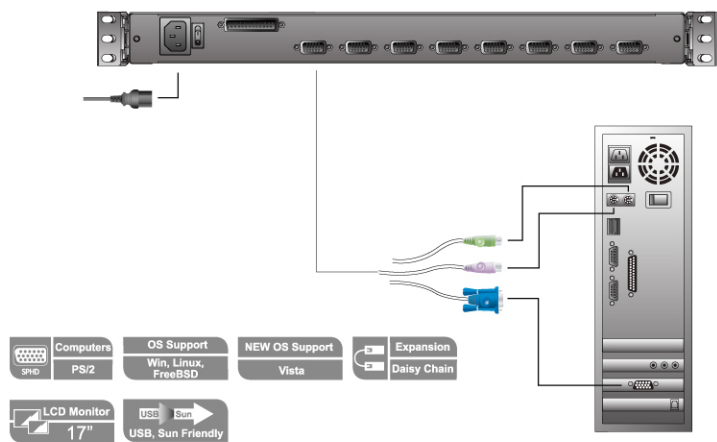
Slideaway™ LCD KVM Switch

The CL1008 / CL1016 LCD KVM Switch series are control units that allow access to multiple computers from a single keyboard, video, and mouse (KVM), console. A single CL1008 or CL1016 can control up to 8 or 16 computers. As many as 15 additional KVM switches can be daisy-chained to the CL1008 / CL1016, so that up to 256 computers can all be controlled from a single KVM console.

The CL1008 / CL1016 offers a space-saving, streamlined approach to KVM switch technology by integrating a keyboard, 17" LCD monitor, and touchpad in a 1U rack-mountable sliding housing.



Setup



Features

- KVM console with 17" LCD monitor in a sliding housing with top and bottom clearance for smooth operation in a 1U high system rack
- LCD module rotates up to 115 degrees for a more comfortable viewing angle
- Standard rack mount kit included – optional Easy Rack Mounting (single person installation) rack mount kit available (requires separate purchase)
- Daisy-chain up to 15 additional units – control up to 256 computers
- No software required – convenient computer selection via hotkeys and mouse driven intuitive on screen display (OSD) menus
- Auto Scan feature for monitoring user-selected computers
- Broadcast support – commands from the keyboard can be broadcast to all available computers on the installation
- Hot pluggable – add or remove computers without having to power down the switch
- Two level password security – only authorized users view and control the computers; up to four users plus an administrator with separate profiles for each
- Video settings of attached computers are automatically adjusted for optimal output to the LCD monitor
- Upgradable firmware
- Keyboard Language support: English(US); English(UK); German; German(Swiss); French; Spanish; Traditional Chinese; Japanese; Korean; Swedish; Italian; Russian; Hungarian

Rack Mount Kit	Depth (cm)
Long (Optional)	68 - 110
Short (Standard)	42 - 82

Easy Installation Rack Mount Kit	Depth (cm)
Long (Optional)	68 - 110
Short (Optional)	52 - 70

Specifications

Function		CL1008	CL1016
Computer Connections	Direct	8	16
	Max	128 (via Daisy-chain)	256 (via Daisy-chain)
Port Selection		OSD; Hotkey; Pushbutton	
Connectors	KVM Ports	8 x SPHD Female (Yellow)	16 x SPHD Female (Yellow)
	Daisy-Chain	1 x DB-25 Male	
	FW Upgrade	1 x RJ-11 Female	
	Power	1 x 3-prong AC socket	
Switches	Reset	1 x Semi-recessed pushbutton	
	Power	1 x Rocker	
	F/W Upgrade	1 x Slide	
	LCD Adjust	4 x Pushbutton	
LEDs	Port Selection	8 x Pushbutton	16 x Pushbutton
	On Line	8 (Orange)	16 (Orange)
	Selected	8 (Green)	16 (Green)
	Power	1 (Dark Green)	
Emulation	Keyboard / Mouse	PS/2	
	Video	17" LCD	
	Scan Interval (OSD Select)	1280 x 1024 @ 75 Hz; DDC2B	
I/P Rating		1-255 Seconds	
Power Consumption		100-240V AC; 50/60Hz; 1A	
Environment	Operating Temp.	120V; 30W 230V; 37W	
	Storage Temp.	0-40°C	
	Humidity	-20-60°C	
Physical Properties	Housing	0-80% RH-condensing	
	Weight	Metal+Plastic	
	Dimensions (D x W x H)		

* The specifications and pictures are subject to change without notice.

ATEN
www.aten.com

Headquarters

ATEN International Co., Ltd.
3F, No.125, Sec. 2, Datung Rd. Sijhih City, Taipei 221, Taiwan
Tel: 886-2-8692-6789 Fax: 886-2-8692-6767 E-mail: online@aten.com.tw

DEFF
IMPORTADORA

www.deffimportadora.com.br

DEFF Distribuidora Importação e Exportação Ltda.
R. Cristóvão Gonçalves, 44 Pinheiros - São Paulo/SP
Tel: (11) 3814-4345 E-mail: deff@deffimportadora.com.br